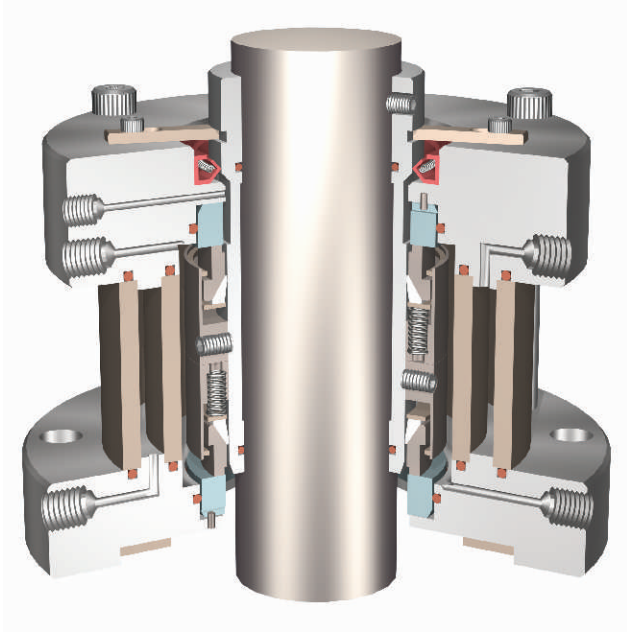


DSSUT

DOUBLE CARTRIDGE SEAL



- RELIABLE DESIGN, PROVEN TRACK RECORD
- PRESSURISED SEALANT
- FACTORY TESTED CARTRIDGE CONSTRUCTION
- AVAILABLE WITH / WITHOUT BEARING
- AVAILABLE IN DOUBLE DRY VERSION FOR STERILE APPLICATIONS
- JACKETED HOUSING

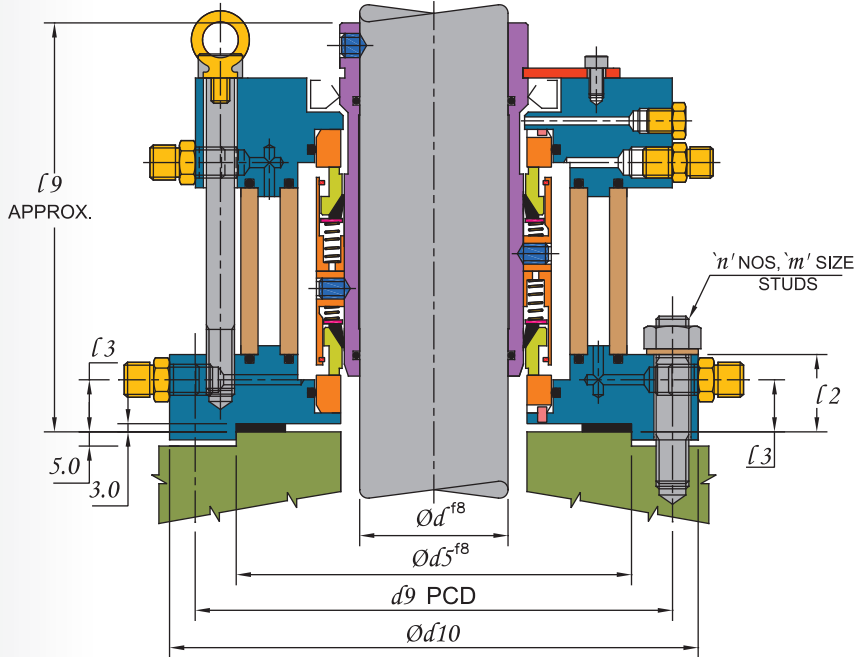


APPLICATIONS :

- TOP ENTRY AGITATORS
- MODERATE PRESSURES
- MULTIPURPOSE REACTORS

DSSUT-HJS

INSTALLATION DIMENSIONS



SEAL SIZE	d	d_5	d_9 PCD	d_{10}	l_2	l_3	l_9	m	n	SEAL SIZE	d	d_5	d_9 PCD	d_{10}	l_2	l_3	l_9	m	n
0381(0250)	25.0	85.00	142.0	166.0	30.0	13.5	140.0	M12	4	0952(0800)	80.0	185.0	225.0	260.0	35.0	25.0	170.0	M16	8
0444(0350)	35.0	80.00	148.0	172.0	31.0	14.5	145.0	M12	4	1016(0850)	85.0	184.0	230.0	270.0	35.0	20.0	170.0	M20	8
0508(0400)	40.0	130.0	170.0	195.0	31.0	15.0	140.0	M16	4	1016(0900)	90.0	184.0	230.0	270.0	35.0	20.0	170.0	M20	8
0571(0450)	45.0	135.0	175.0	202.0	31.0	16.5	150.0	M16	4	1143(1000)	100.0	210.0	250.0	285.0	37.0	25.0	180.0	M20	8
0635(0500)	50.0	140.0	180.0	212.0	31.0	16.5	155.0	M16	4	1270(1050)	105.0	220.0	280.0	320.0	47.0	25.0	180.0	M20	8
0698(0550)	55.0	145.0	185.0	217.0	32.0	18.0	160.0	M16	4	1270(1100)	110.0	220.0	280.0	320.0	47.0	25.0	180.0	M20	8
0698(0600)	60.0	145.0	185.0	217.0	32.0	18.0	160.0	M16	4	1333(1200)	120.0	220.0	280.0	320.0	37.0	25.0	185.0	M20	8
0762(0650)	65.0	156.0	196.0	230.0	33.0	18.0	160.0	M16	8	1460(1250)	125.0	240.0	298.0	337.0	37.0	25.0	195.0	M20	8
0825(0700)	70.0	170.0	210.0	245.0	33.0	19.0	160.0	M16	8	1460(1300)	130.0	240.0	298.0	337.0	37.0	25.0	195.0	M20	8
0889(0750)	75.0	176.0	216.0	250.0	33.0	18.0	160.0	M16	8	1651(1400)	140.0	295.0	335.0	380.0	36.5	22.0	255.0	M22	12

LIMITING PARAMETERS

PRESSURE
FULL VACUUM TO 16 BAR

TEMPERATURE
- 40° C TO 200° C*

SPEED
2 m/sec

* For higher temperatures consult HI-FAB

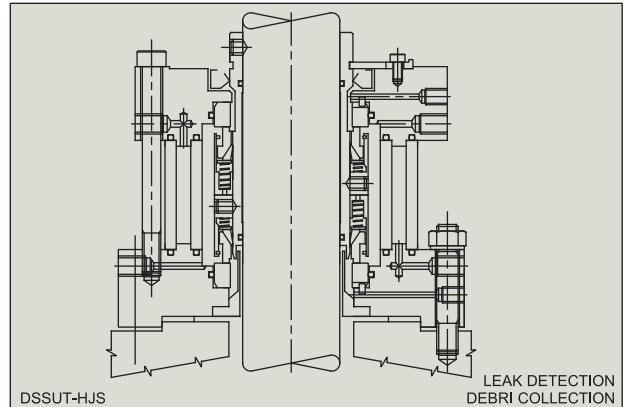
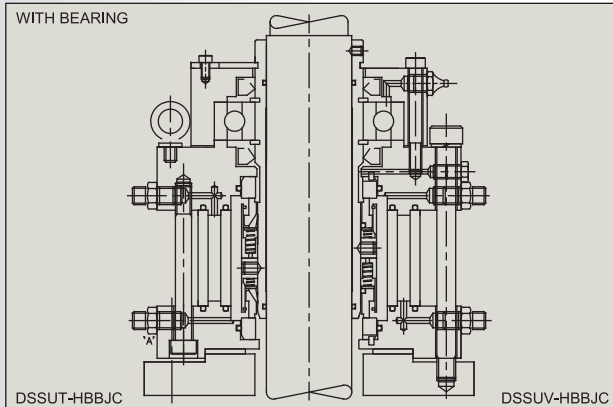
MATERIALS

METAL PARTS
SS316
SPECIAL MOC ON REQUEST

SEAL FACES	
ROTARY	STATIONARY
CARBON	SIC, TC
SIC	SIC

SEAL TYPE	ELASTOMERS
DSSUT	PTFE
DSSUV	VITON, FFKM EPR, AFLAS

DESIGN VARIATIONS



Due to continuous improvement specifications & dimensions may change without prior notice